

LOCATION WHERE CONCERN WAS RAISED: Odessa, TX

PRODUCT:

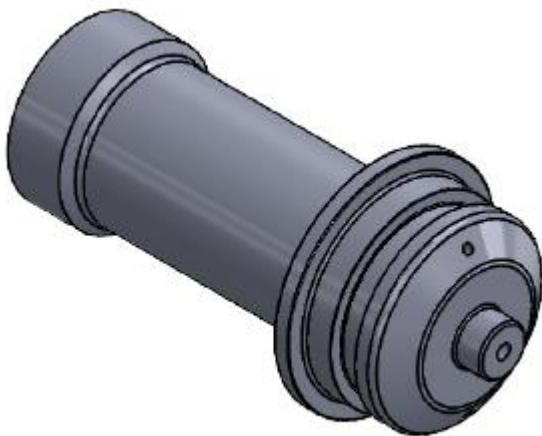
- 130-0022 (REV 04) – Chimney Discharge
- 130-0033 (REV 03) – Discharge Plug
- 130-0018 (REV 06) – Spring Retainer

MFR: ST9 Gas & Oil LLC

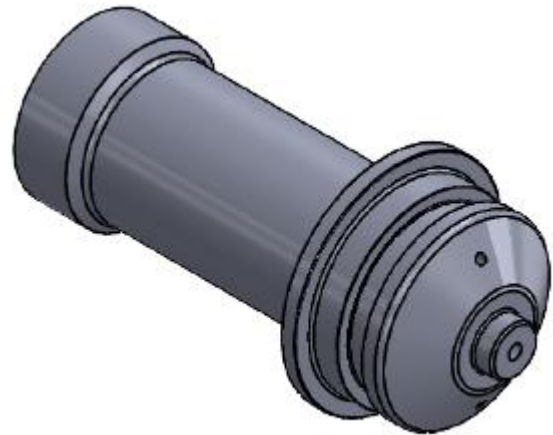
OBSERVATION: Valve High Lift Modification

SOLUTION: After extensive discussion with the LOS flowline and operations team, a decision was made to modify several internal components of the ST9 fluid end to facilitate ease of assembly. Three different components were modified in this PCN to accommodate the valve high lift modification. As requested by the flowline team, all part numbers were not changed just the revision number advanced by 1. CAD models and pictures below.

The flowline and operations team will be implementing these changes on current LOS fluid ends. Future new ST9 fluid ends will have these changes incorporated already.



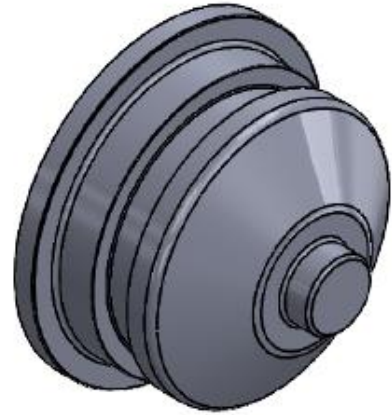
130-0022 (REV 04) New Chimney Discharge



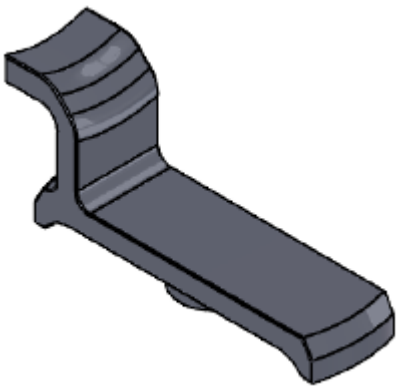
130-0022 (REV 03) Old Chimney Discharge



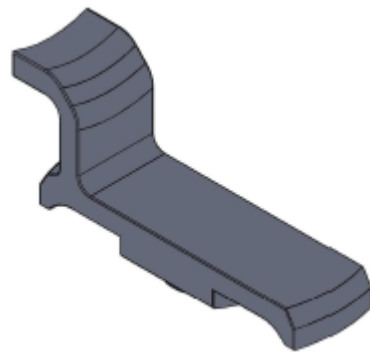
130-0033 (REV 03) New Discharge Plug



130-0033 (REV 02) Old Discharge Plug



130-0018 (REV 06) New Spring Retainer



130-0018 (REV 05) Old Spring Retainer

Note:

FOR MORE INFORMATION CONTACT:



Alex Booth

Product Manager

M: +1 (832) 326-6774

E: booth.alex@ST9go.com

www.ST9go.com

LIBERTY ONLY