

PRODUCT:

- 150-3008: P4 2500 Quint Fluid End
- 150-3030: P5 2500 Quint Fluid End
- 130-0002: P4 Suction Nut
- 130-0102: P5 Suction Nut
- 130-0017: P4 Suction Plug
- 130-0104: P5 Suction Plug
- 130-0033: P4 Discharge Plug
- 130-0108: P5 Discharge Plug
- 130-0071: P4 D-Ring
- 130-0132: P5 D-Ring
- 130-0018: P4 Spring Retainer
- 130-0074: P5 Spring Retainer

MFR: ST9 Gas & Oil LLC

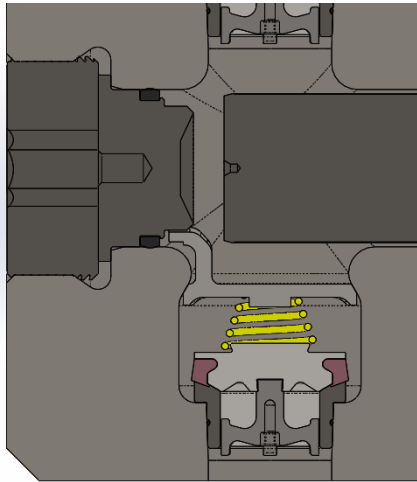
MODIFICATION: All future 2500 quint fluid ends from ST9 will accommodate P5 (4.5") valves and seats instead of P4 (4") valves and seats.

DETAILS: After extensive discussion with the LOS flowline and operations team, a decision was made to convert all existing P4 fluid ends to P5 fluid ends. This change will allow for longer life of valves and seats. To facilitate this modification, several internal components will change as well.

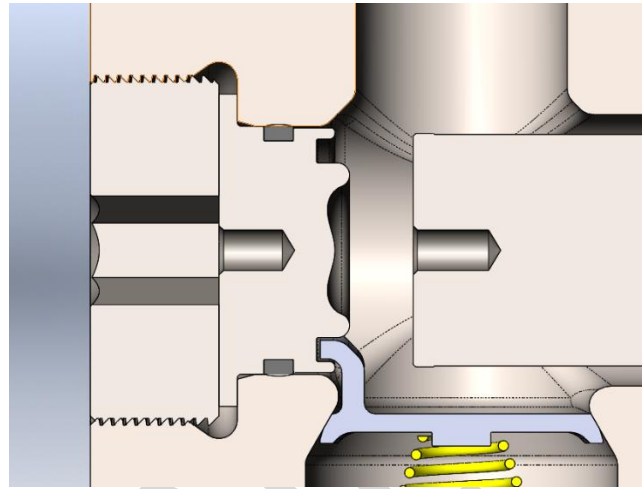
Spring retainers or "keepers" will look different when installed properly in all future ST9 P5 pumps. Improper installation of these keepers will knock them out once the suction plug is installed.

See this video for proper P5 spring retainer installation.

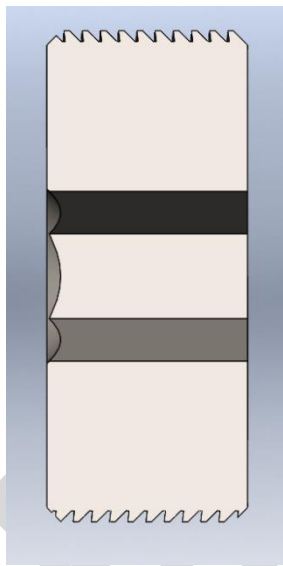
<https://youtu.be/vEB71wPphVI>



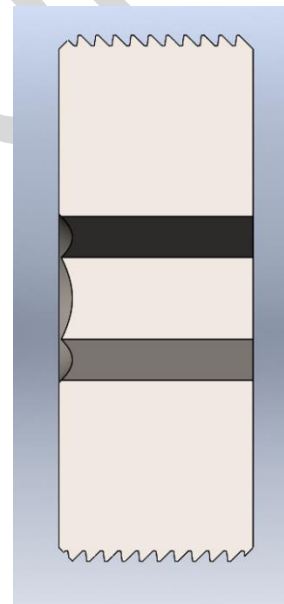
130-3008 Side View & Keeper Fit



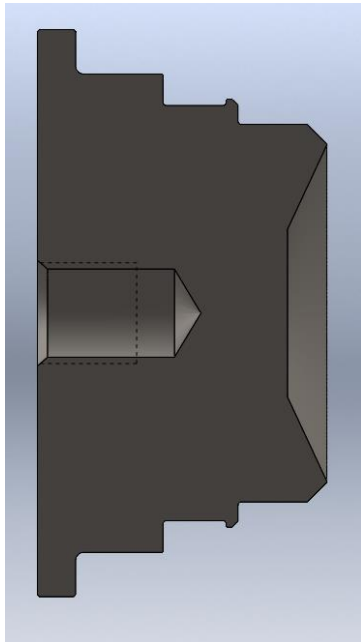
130-3030 Side View & Keeper Fit



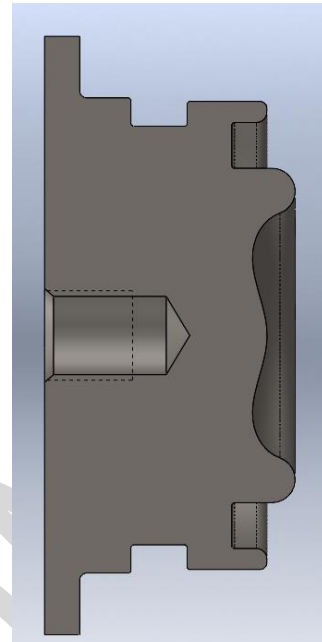
130-0002 P4 Suction Nut



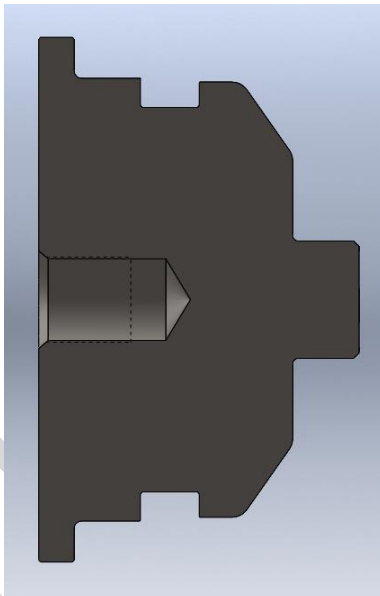
130-0102 P5 Suction Nut (Larger)



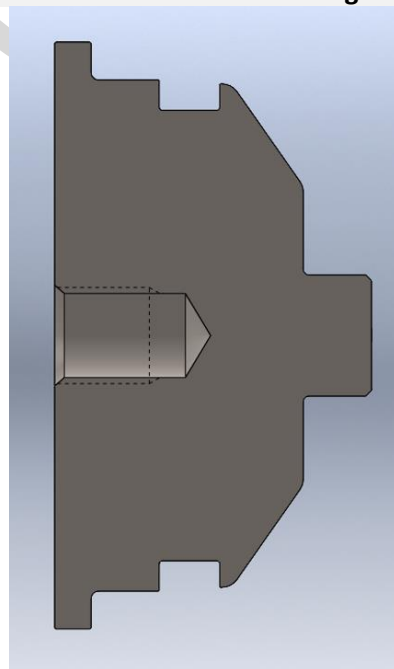
130-0017 P4 Suction Plug



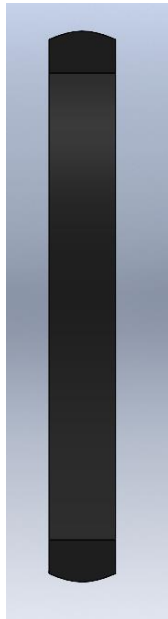
130-0104 P5 Suction Plug



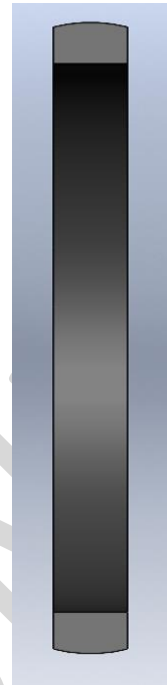
130-0033 P4 Discharge Plug



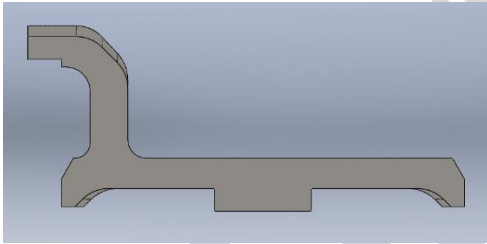
130-0108 P5 Discharge Plug



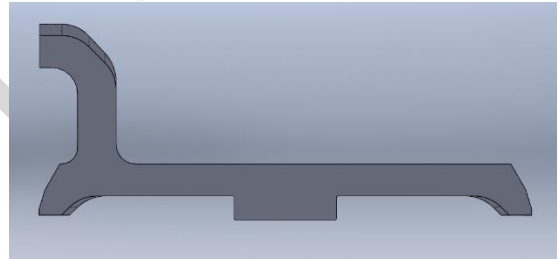
130-0071 P4 D-Ring



130-0132 P5 D-Ring



130-0018 P4 Spring Retainer



130-0074 P5 Spring Retainer

FOR MORE INFORMATION CONTACT:



Alex Booth

Product Manager

M: +1 (832) 326-6774

E: booth.alex@ST9go.com

www.ST9go.com