

PRODUCT:

- P/N 150-3031: 3000T Triplex Fluid End (substitute for GD3000 fluid end)
- P/N 130-0127 → P/N 130-0171: Plunger
- P/N 125-0039 → P/N 125-0062: Full packing set

MODIFICATION:

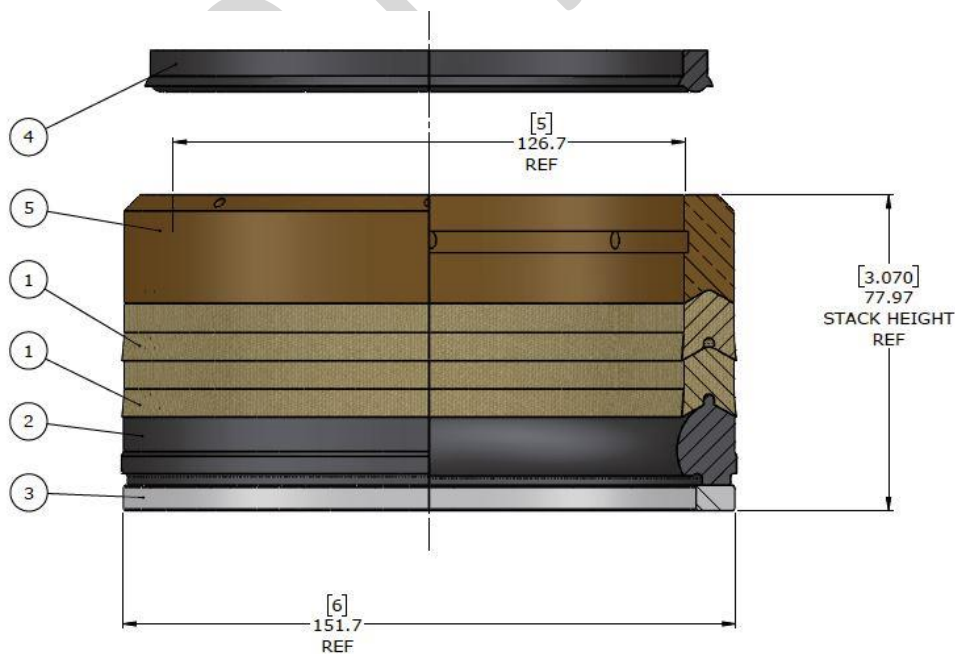
- 1) The packing for the ST9 3000T triplex fluid end will now have a double pressure ring design and shorter junk ring.
- 2) The plunger will lengthen to 17.5" instead of 16.5"

DETAILS:

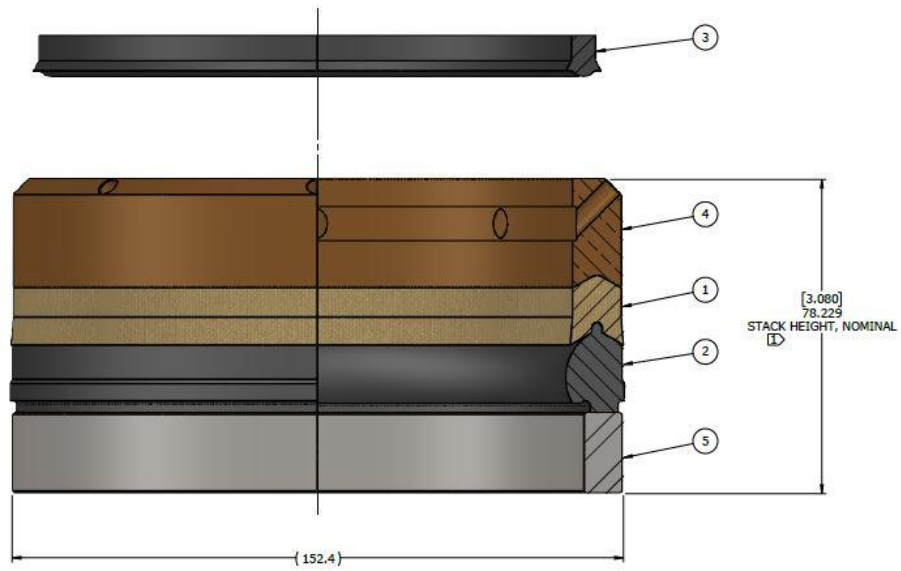
ST9 3000T Fluid End (part number 150-3031) will now include a new packing set (125-0062) with 2 pressure rings instead of 1. These packing sets will ONLY be for the 150-3031 blocks. These blocks will be tested in west Texas first and not available for sale yet. Future blocks may contain standard GD3000 packing and a standard GD3000 plunger.

In addition to the new packing set, they will also include longer 5" plungers at 17.5" instead of 16.5".

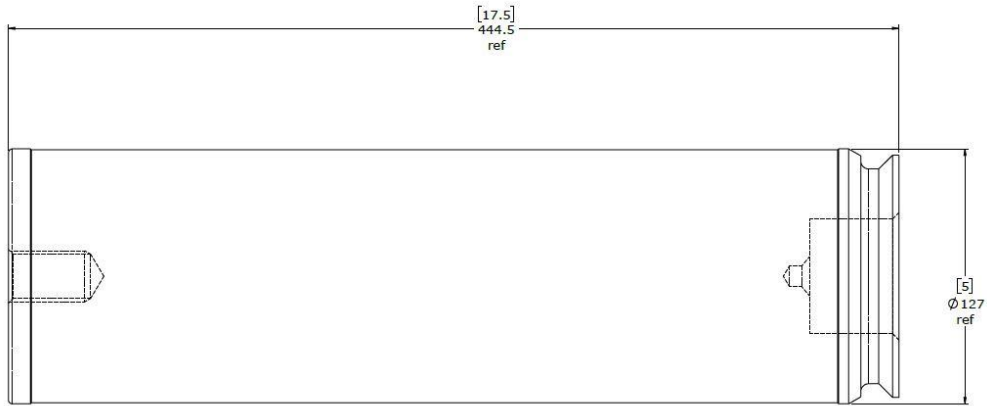
These changes will address the low packing life issue and lead to increased packing life for all 3000T blocks in stock.



New Packing: P/N: 125-0062



Old Packing: P/N 125-0039



New Plunger: P/N 130-0171

FOR MORE INFORMATION CONTACT:



Alex Booth

Product Manager

M: +1 (832) 326-6774

E: booth.alex@ST9go.com

www.ST9go.com

LIBERTY ONLY