

PRODUCT:

- 250-0010: ST9 2500Q Power End
- 200-0038: Legacy left cover
- 200-0025: Legacy right cover
- 200-0291: New left cover with inspection port
- 200-0290: New right cover with inspection port

OVERVIEW:

- 1) The power end side covers will now include 2 separate inspection ports. One will be directly above the rotary oiler and the other will be near the bull & pinion gear mesh.
- 2) New side covers are backwards compatible with old side covers.

DETAILS:

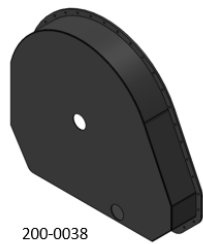
In order to facilitate better troubleshooting of ST9 power ends, the side covers will now include two separate inspection ports. Each port will be shaped like an oval with (8) 3/8-16 flange bolts and an o-ring. Extra components will be available to order from the ST9 warehouse. Part numbers and quantities are in the table below.

Installed and finished pictures show on the next page. Fig 1 shows the bottom cover fully installed. Fig 2 shows the top cover exposed revealing the bull gear bolt. Fig 3 displays the bull & pinion gear mesh. Fig 4 shows the top cover bolted on.

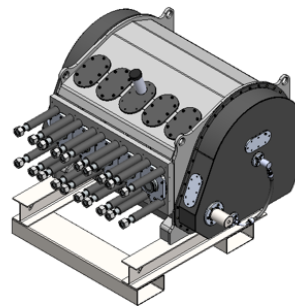
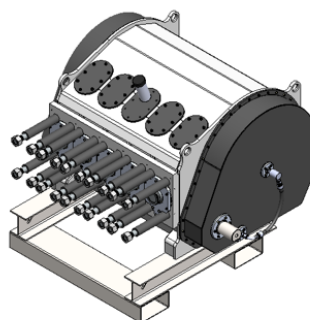
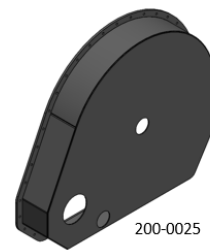
BOM CHANGES

Left or Follow

Right or Drive



OLD PART NUMBER	NEW PART NUMBER	DESCRIPTION	OLD QTY	NEW QTY
200-0025	200-0290	Right Cover (Drive Side)	1	1
200-0038	200-0291	Left Cover (Follow Side)	1	1
200-0129	-	3/8-16 Flange Bolts	128	160
-	200-0310	Inspection Port Cover	-	4
-	200-0311	O-Ring	-	4



Look as of January 2022





Fig 1

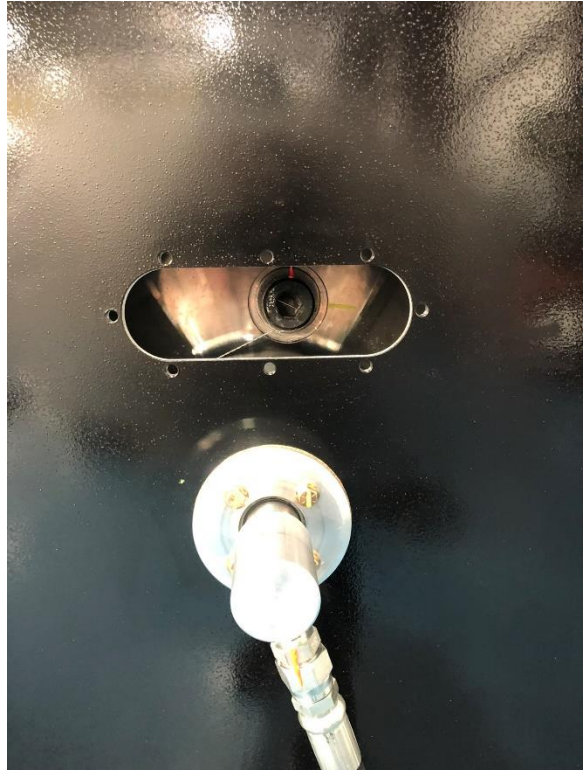


Fig 2



Fig 3



Fig 4



Alex Booth
Product Manager
M: +1 (832) 326-6774
E: booth.alex@ST9go.com
www.ST9go.com